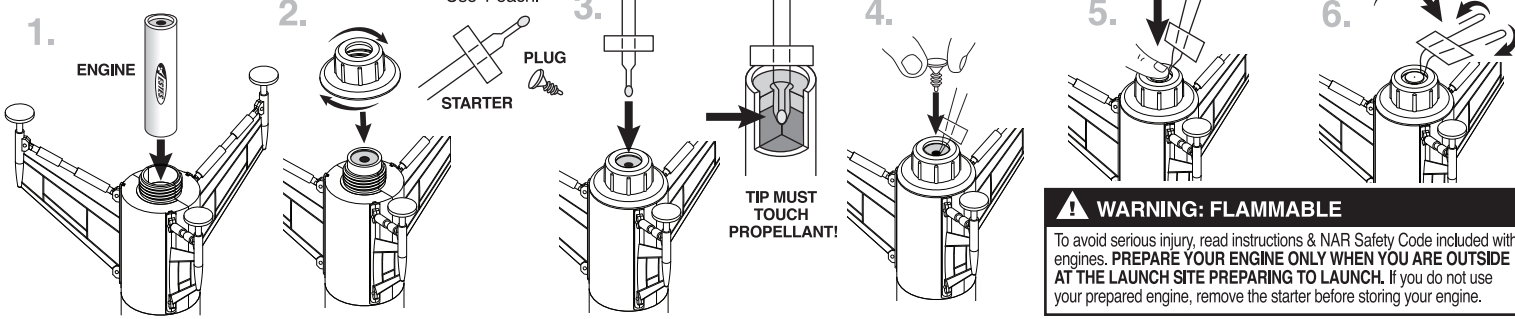
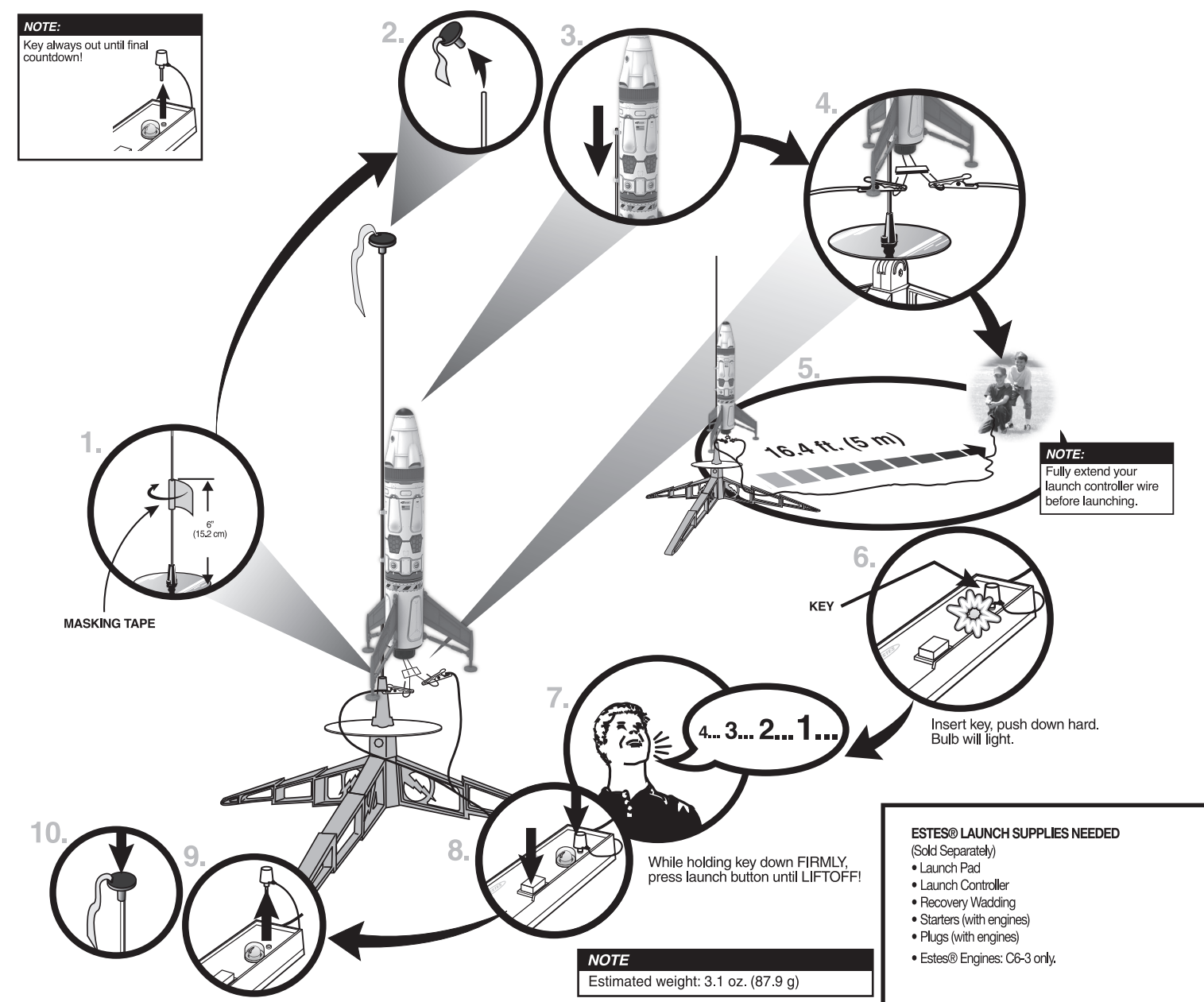


PREPARE ENGINE



LAUNCH PROCEDURE



PRECAUTIONS



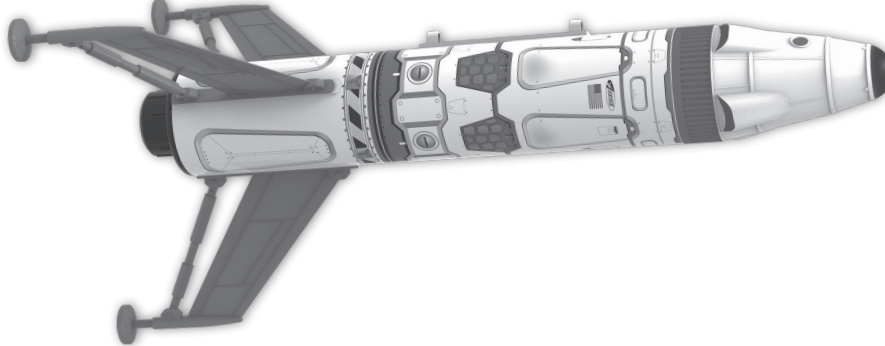
PRE-LAUNCH CHECK For safety, never launch a damaged rocket. Check the rocket's body, nose cone and fins. Also, check the engine mount, recovery system and launch lug(s). Repair any damage before launching the rocket.
FLYING YOUR ROCKET Choose a large field (500 ft. [152 m] square) free of dry weeds and brown grass. The larger the launch area, the better your chance of recovering your rocket. Football fields and playgrounds are great. Launch only with little or no wind and good visibility. Always follow the National Association of Rocketry (NAR) SAFETY CODE (enclosed).
MISFIRES TAKE THE KEY OUT OF THE CONTROLLER. WAIT ONE MINUTE BEFORE GOING NEAR THE ROCKET! Disconnect the starter clips and remove the engine. Take the plug and starter out of the engine. If the starter has burned, it worked but did not ignite the engine because it was not touching the propellant inside the engine. Put a new starter all the way inside the engine without bending it. Push the plug in place. Repeat the steps under Countdown and Launch.



MAV™

7283

EstesRockets.com

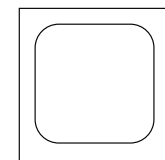
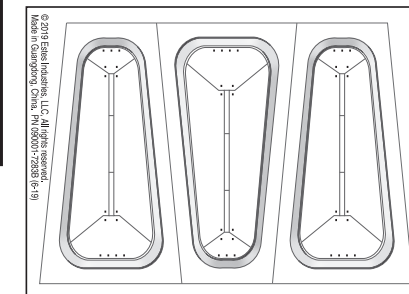


MODEL ROCKET INSTRUCTIONS

KEEP FOR FUTURE REFERENCE

IMPORTANT: Please record date found on decal and keep for future reference. _____

Read all instructions. Make sure you have all parts and supplies. Test fit all parts before applying glue. Product color and shape may vary.



072831 Nose cone

038362 Shock cord

031776 Body tube

038009 Launch Lug

073016/017 Engine mount fin can unit

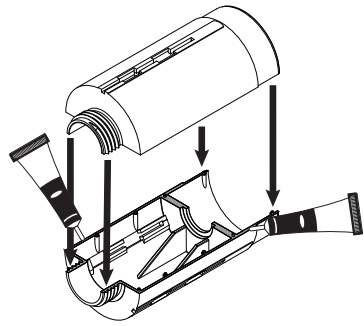
035802 Parachute

033623 Fins X3

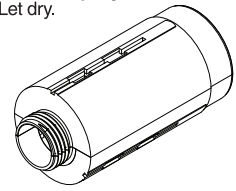
073014 Engine retainer cap

ASSEMBLE ENGINE MOUNT FIN CAN UNIT

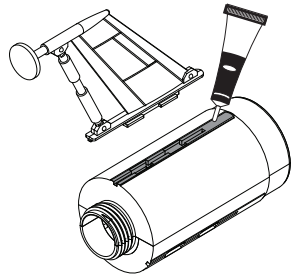
1. Apply plastic cement.



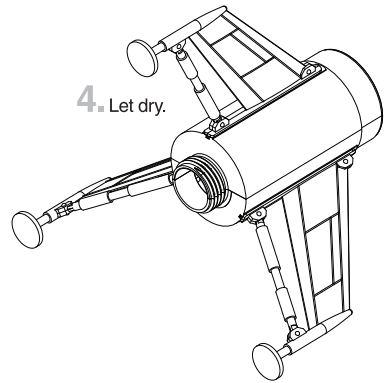
2. Press firmly together. Let dry.



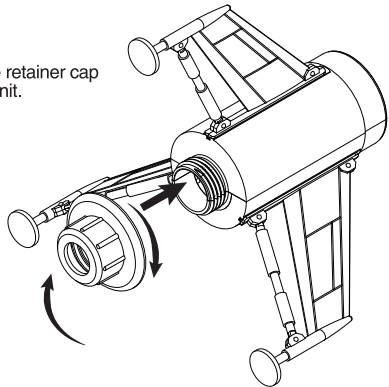
3. Apply plastic cement and insert fins. **X3**



4. Let dry.

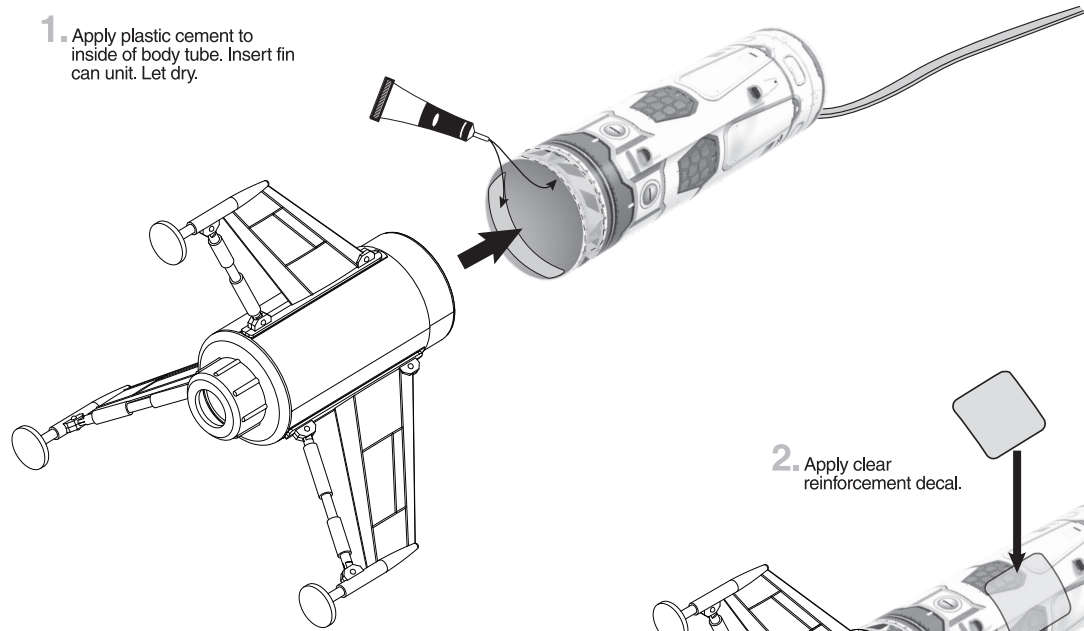


5. Screw engine retainer cap onto fin can unit.

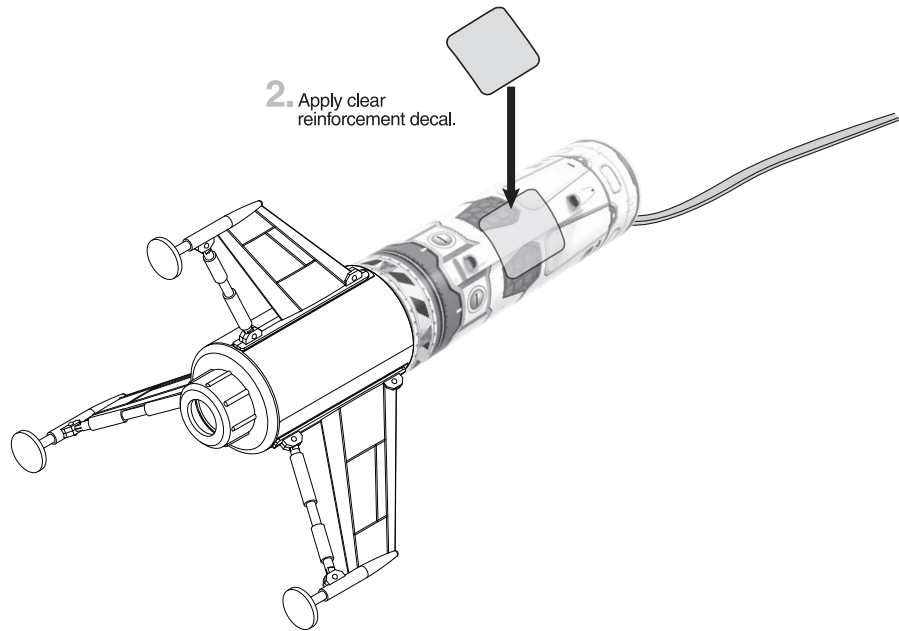


ATTACH BODY TUBE

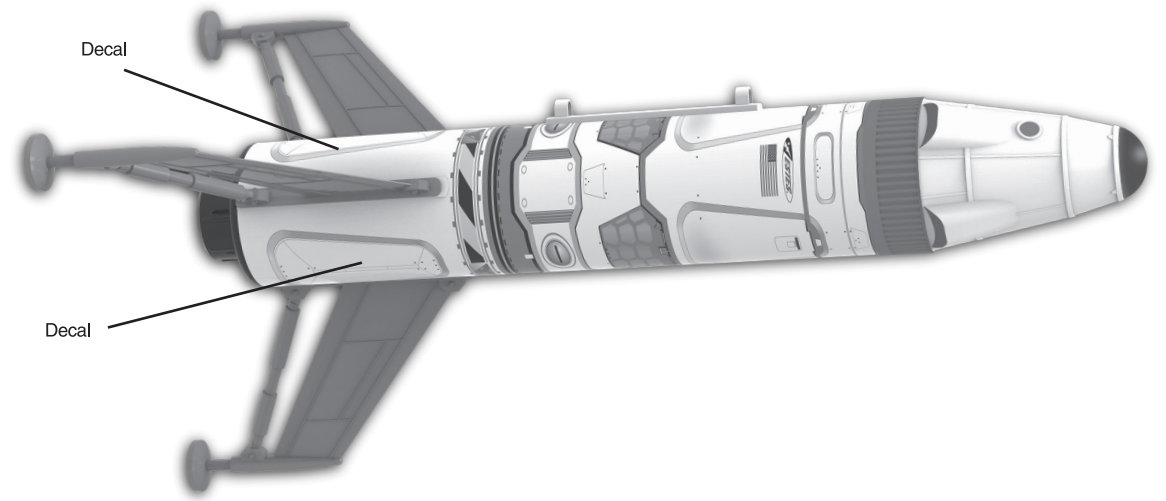
1. Apply plastic cement to inside of body tube. Insert fin can unit. Let dry.



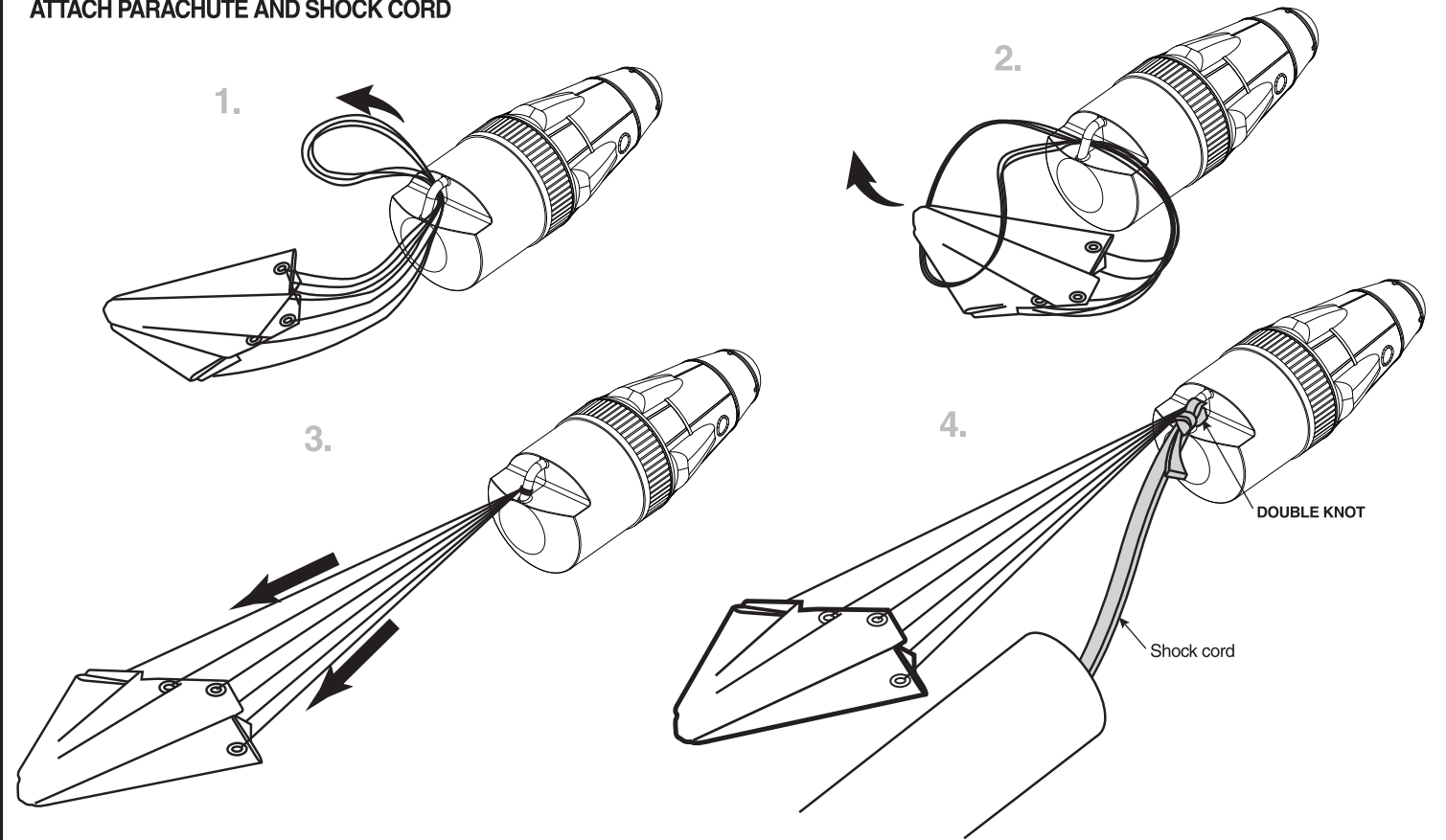
2. Apply clear reinforcement decal.



APPLY DECALS

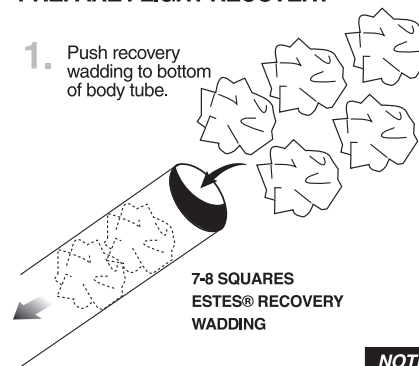


ATTACH PARACHUTE AND SHOCK CORD



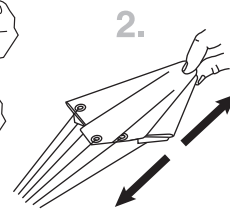
PREPARE FLIGHT RECOVERY

1. Push recovery wadding to bottom of body tube.

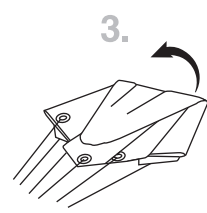


7-8 SQUARES
ESTES® RECOVERY
WADDING

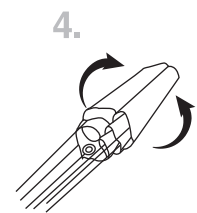
2.



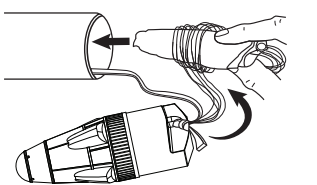
3.



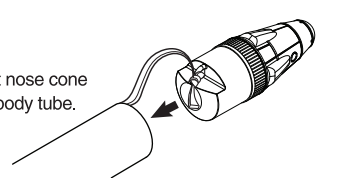
4.



5. Wrap lines loosely and insert parachute into body tube.



6. Insert nose cone into body tube.



NOTE:
Recovery wadding and parachute must slide easily into body tube.